

Dosing pump series PN-M

- Maximum Flow rate: 190 l/h
- Maximum Pressure: 90 kg/cm²g
- Packed plunger pumps
- Variable eccentric drive mechanism



Technical characteristics

Standard:

- Flow rate up to: 192 l/h
- Pressure up to: 90 kg/cm²g
- Conforms to API 675 Standard
- Stroke adjustment by variable eccentric minimising pulsation and shock
- Lockable Micrometer Stroke Adjustment
- Maximum temperature of pumped liquid: 120°C
- Maximum Ambient temperature: 50°C
- Adjustment of flow rate while running or stopped: from 0 to 100%
- Accuracy: ± 1% of rated flow from 10% to 100% stroke
- Repeatability: ±3%, Linearity: ±3%
- Turn down ratio 10:1
- Lubrication by oil bath
- Liquid end material of construction: SS316, other MOC on request
- End connections: Threaded
- Stroke Length: 15mm

Options:

- Variable speed drive, Electronic capacity control
- End connections: Flanged

Characteristics of motors

Standard Motor Data:

- Motor Power: 0.37kW
- Power Supply: 415V – 50 Hz – 3 phase, IE2
- Degree of protection: IP 55
- Insulation: class F
- Motor Speed: 2880 rpm (for 192 spm) / 1440 rpm (for other all spm)
- Enclosure: TEFC

Options:

- Flame/Explosion proof motors



Liquid end construction

Components	Materials
Liquid end body	SS 316
Plunger	SS 316
Valve body	SS 316
Balls	SS 316
Packing	PTFE braided rope
Y - Strainer	SS 316

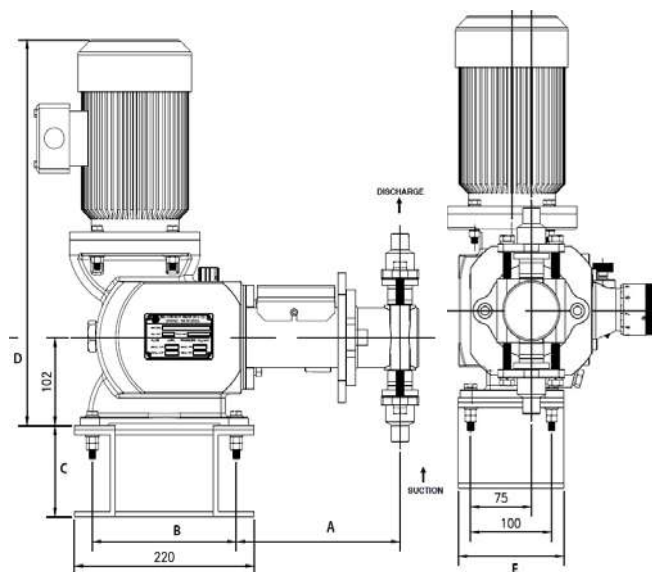
Accessories

To meet your installation needs a large range of accessories are available on request (Pulsation dampeners, safety and back pressure valves),

Performances

Dimensions and Connections

Pump model	Flow max. (l/h)	Pressure max. (kg/cm ² g)	Stroke length (mm)	Stroke speed (spm)	Plunger Ø (mm)	End Connections (Suction & Discharge)
16A	4	90	15	30	16	½"NPT(M)
16B	8	90	15	60	16	½"NPT(M)
16C	15	90	15	96	16	½"NPT(M)
16D	24	90	15	152	16	½"NPT(M)
16E	30	90	15	192	16	½"NPT(M)
20A	7	60	15	30	20	½"BSP(M)
20B	15	60	15	60	20	½"BSP(M)
20C	22	60	15	96	20	½"BSP(M)
20D	35	60	15	152	20	½"BSP(M)
20E	44	40	15	192	20	½"BSP(M)
25A	10	40	15	30	25	½"BSP(M)
25B	20	40	15	60	25	½"BSP(M)
25C	35	40	15	96	25	½"BSP(M)
25D	60	40	15	152	25	½"BSP(M)
25E	70	25	15	192	25	½"BSP(M)
32A	18	20	15	30	32	½"BSP(M)
32B	35	20	15	60	32	½"BSP(M)
32C	60	20	15	96	32	½"BSP(M)
32D	95	20	15	152	32	½"BSP(M)
32E	120	15	15	192	32	½"BSP(M)
40A	30	15	15	30	40	½"BSP(M)
40B	60	15	15	60	40	½"BSP(M)
40C	95	15	15	96	40	½"BSP(M)
40D	150	15	15	152	40	½"BSP(M)
40E	190	10	15	192	40	½"BSP(M)



Dimensions (mm)					
Pump	A	B	C	D	E
PN 16-25	181	176	105	446	130
PN 32-40	200	176	105	446	130

Weight

Liquid End	Weight (kg)
Metallic	45

*Any changes in this catalogue applicable without prior Information

Plot No: 45/1, 8th Avenue, Domestic Tariff Area,
Mahindra World City, Kanchipuram District,
Chengalpet – 603004, Tamil nadu, India.
Tel Ph. No: +91-44-71113111
mr-sales@miltonroy.com | www.miltonroyindia.com