

Dosing pump series PN-L

- Maximum Flow rate (Simplex): 5722.7 l/h ● Maximum Pressure (Simplex): 250 kg/cm²g
- Packed plunger pumps ● Variable eccentric drive mechanism



Technical characteristics

Standard:

- Flow rate up to: 5722.7 l/h (Simplex), 11445 l/h (Duplex)
- Pressure up to: 250 kg/cm²g
- Conforms to API 675 Standard
- Stroke adjustment by variable eccentric minimising pulsation and shock
- Lockable Micrometer Stroke Adjustment
- Maximum temperature of pumped liquid: 120°C
- Maximum Ambient temperature: 50°C
- Adjustment of flow rate while running or stopped: from 0 to 100%
- Accuracy: ± 1% of rated flow from 10% to 100% stroke
- Repeatability: ±3%, Linearity: ±3%
- Turn down ratio 10:1
- Stroke Length: 50mm
- Lubrication by oil bath
- Liquid end material of construction: SS316, other MOC on request
- End connections: Threaded

Options:

- Variable speed drive, Electronic capacity control
- End connections: Flanged

Characteristics of motors

Standard Motor Data:

- Motor Power: 1.5 / 2.2 / 3.7 kW
- Power Supply: 415V – 50 Hz – 3 phase
- Degree of protection: IP 55
- Insulation: class F
- Motor Speed: 1440 rpm (150 spm, 180 spm) / 970 rpm (100 spm, 120 spm)
- Enclosure: TEFC

Options:

- Flame/Explosion proof motors



Liquid end construction

Components	Materials
Liquid end body	SS 316
Plunger	SS 316
Valve body	SS 316
Balls	SS 316
Packing	PTFE braided rope

Accessories

To meet your installation needs a large range of accessories are available on request (Pulsation dampeners, safety and back pressure valves),

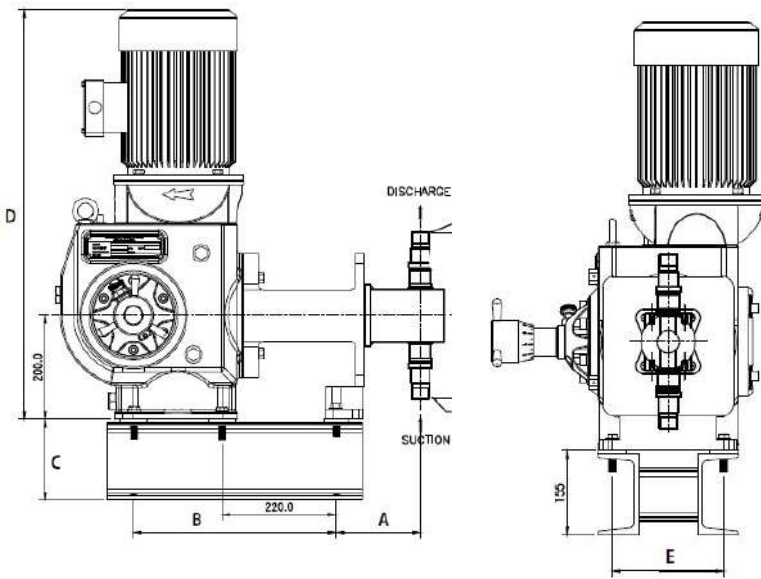
Performances (Simplex)

Pump model	Flow max. (l/h)	Pressure max. (kg/cm ² g)			Stroke speed (spm)	Stroke length (mm)	Plunger Ø (mm)	End Connections (Suction & Discharge)
		1.5kW	2.2kW	3.7kW				
20A	84.8	195	250	-	100	50	20	½" BSP (M)
20B	101.7	165	250	-	120	50	20	½" BSP (M)
20C	127.2	130	195	250	150	50	20	½" BSP (M)
20D	152.6	105	160	250	180	50	20	½" BSP (M)
25A	132.5	130	160	-	100	50	25	½" BSP (M)
25B	159	110	160	-	120	50	25	½" BSP (M)
25C	198.7	85	125	160	150	50	25	½" BSP (M)
25D	238.4	70	105	160	180	50	25	½" BSP (M)
32A	217	80	100	-	100	50	32	½" BSP (M)
32B	260.4	65	100	-	120	50	32	½" BSP (M)
32C	325.6	50	80	100	150	50	32	½" BSP (M)
32D	390.7	40	60	100	180	50	32	½" BSP (M)
40A	339.1	50	65	-	100	50	40	1" BSP (M)
40B	406.9	40	65	-	120	50	40	1" BSP (M)
40C	508.7	32	50	65	150	50	40	1" BSP (M)
40D	610.4	27	40	65	180	50	40	1" BSP (M)
50A	529.9	32	40	-	100	50	50	1" BSP (M)
50B	635.9	25	40	-	120	50	50	1" BSP (M)
50C	794.8	20	32	40	150	50	50	1" BSP (M)
50D	953.8	15	27	40	180	50	50	1" BSP (M)
63A	841.2	20	25	-	100	50	63	1 1/2" BSP (M)
63B	1009.5	16	25	-	120	50	63	1 1/2" BSP (M)
63C	1261.8	12	20	25	150	50	63	1 1/2" BSP (M)
63D	1514.2	10	16	25	180	50	63	1 1/2" BSP (M)
70A	1038.6	16	20	-	100	50	70	1 1/2" BSP (M)
70B	1246.3	13	20	-	120	50	70	1 1/2" BSP (M)
70C	1557.8	10	16	20	150	50	70	1 1/2" BSP (M)
70D	1869.4	8	12	20	180	50	70	1 1/2" BSP (M)
90A	1716.8	7	10	-	100	50	90	2" BSP (M)
90B	2060.2	6	10	-	120	50	90	2" BSP (M)
90C	2575.2	5	10	-	150	50	90	2" BSP (M)
90D	3090.5	4	8	10	180	50	90	2" BSP (M)
110A	2564.6	-	7	-	100	50	110	2" BSP (M)
110B	3077.5	-	7	-	120	50	110	2" BSP (M)
110C	3846.9	-	7	-	150	50	110	2" BSP (M)
110D	3052.1	-	5	-	180	50	110	2" BSP (M)
120A	3662.5	-	5	-	100	50	120	2" BSP (M)
120B	4578.1	-	5	-	120	50	120	2" BSP (M)
120C	4768.9	-	3	-	150	50	120	2" BSP (M)
120D	5722.7	-	3	-	180	50	120	2" BSP (M)

Performances (Duplex)

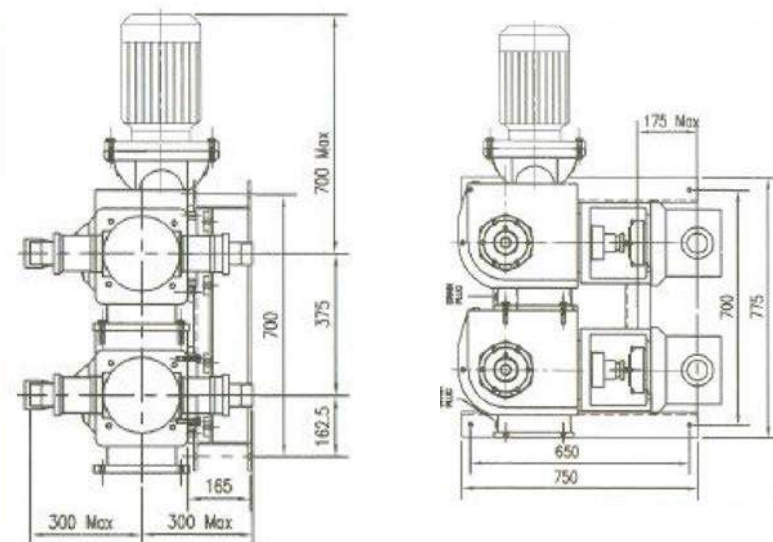
Pump model	Flow max. (l/h)	Pressure max. (kg/cm ² g)			Stroke speed (spm)	Stroke length (mm)	Plunger Ø (mm)	End Connections (Suction & Discharge)
		2.2kW	3.7kW	5.5kW				
20A	170	195	250	-	100	50	20	½" BSP (M)
20B	203	165	250	-	120	50	20	½" BSP (M)
20C	254	130	195	250	150	50	20	½" BSP (M)
20D	305	105	160	250	180	50	20	½" BSP (M)
25A	265	130	160	-	100	50	25	½" BSP (M)
25B	318	110	160	-	120	50	25	½" BSP (M)
25C	397	85	125	160	150	50	25	½" BSP (M)
25D	477	70	105	160	180	50	25	½" BSP (M)
32A	434	80	100	-	100	50	32	½" BSP (M)
32B	521	65	100	-	120	50	32	½" BSP (M)
32C	651	50	80	100	150	50	32	½" BSP (M)
32D	781	40	60	100	180	50	32	½" BSP (M)
40A	678	50	65	-	100	50	40	1" BSP (M)
40B	814	40	65	-	120	50	40	1" BSP (M)
40C	1017	32	50	65	150	50	40	1" BSP (M)
40D	1221	27	40	65	180	50	40	1" BSP (M)
50A	1060	32	40	-	100	50	50	1" BSP (M)
50B	1272	25	40	-	120	50	50	1" BSP (M)
50C	1590	20	32	40	150	50	50	1" BSP (M)
50D	1908	15	27	40	180	50	50	1" BSP (M)
63A	1682	20	25	-	100	50	63	1 1/2" BSP (M)
63B	2019	16	25	-	120	50	63	1 1/2" BSP (M)
63C	2524	12	20	25	150	50	63	1 1/2" BSP (M)
63D	3028	10	16	25	180	50	63	1 1/2" BSP (M)
70A	2077	16	20	-	100	50	70	1 1/2" BSP (M)
70B	2493	13	20	-	120	50	70	1 1/2" BSP (M)
70C	3116	10	16	20	150	50	70	1 1/2" BSP (M)
70D	3739	8	12	20	180	50	70	1 1/2" BSP (M)
90A	3434	7	10	-	100	50	90	2" BSP (M)
90B	4120	6	10	-	120	50	90	2" BSP (M)
90C	5150	5	10	-	150	50	90	2" BSP (M)
90D	6180	4	8	10	180	50	90	2" BSP (M)
110A	5129	-	7	-	100	50	110	2" BSP (M)
110B	6155	-	7	-	120	50	110	2" BSP (M)
110C	7694	-	7	-	150	50	110	2" BSP (M)
110D	6104	-	5	-	180	50	110	2" BSP (M)
120A	7325	-	5	-	100	50	120	2" BSP (M)
120B	9156	-	5	-	120	50	120	2" BSP (M)
120C	9538	-	3	-	150	50	120	2" BSP (M)
120D	11445	-	3	-	180	50	120	2" BSP (M)

Dimensions and Connections



Simplex

Dimensions (mm)					
Pump	A	B	C	D	E
PN 20-25	152	390	155	788	205
PN 32-40	162	390	155	788	205
PN 50	170	390	155	788	205
PN 63-70	175	390	155	850	205
PN 90-120	174	390	155	850	205



Duplex

Dimensions (mm)			
Pump model	Length	Width	Height
All Duplex model	600	750	1237.5

Weight

Liquid End	Weight (ka)
Simplex	300
Duplex	750

*Any changes in this catalogue applicable without prior Information

Plot No: 45/1, 8th Avenue, Domestic Tariff Area,
Mahindra World City, Kanchipuram District,
Chengalpet – 603004, Tamil nadu, India.
Tel Ph. No: +91-44-71113111
mr-sales@miltonroy.com | www.miltonroyindia.com

Doc.no: MRI-PN L-001

OY