

# Dosing pump series - GB

- Maximum Flow rate: 1175 l/h • Maximum Pressure: 10 kg/cm<sup>2</sup>g • Mechanically actuated diaphragm
- Variable eccentric drive mechanism



## Technical characteristics

### Standard:

- Flow rate up to: 1175 l/h
- Pressure up to: 10 kg/cm<sup>2</sup>g
- High-efficiency, PTFE diaphragm
- Mechanically actuated diaphragm
- Stroke adjustment by variable eccentric minimising pulsation and shock
- Simplex version
- Maximum temperature of pumped liquid: 50 °C
- Adjustment of flow rate while running: from 0 to 100%
- Accuracy: ± 1% of rated flow from 10% to 100% stroke
- Suction lift: up to 2.5 m water
- Turn down ratio 10:1
- Lubrication by oil bath

### Options:

- Variable speed drive, Electronic capacity control/Automatic capacity control



## Characteristics of motors

### Standard Motor Data:

- Power Supply: 415V – 50 Hz – 3 phase, IE2
- Degree of protection: IP 55
- Insulation: class F
- Motor Speed: 1440 rpm
- Enclosure: TEFC

### Options:

- Flame/Explosion proof motors

## Accessories

To meet your installation needs a large range of accessories are available on request (Pulsation dampeners, safety and back pressure valves), consult us.

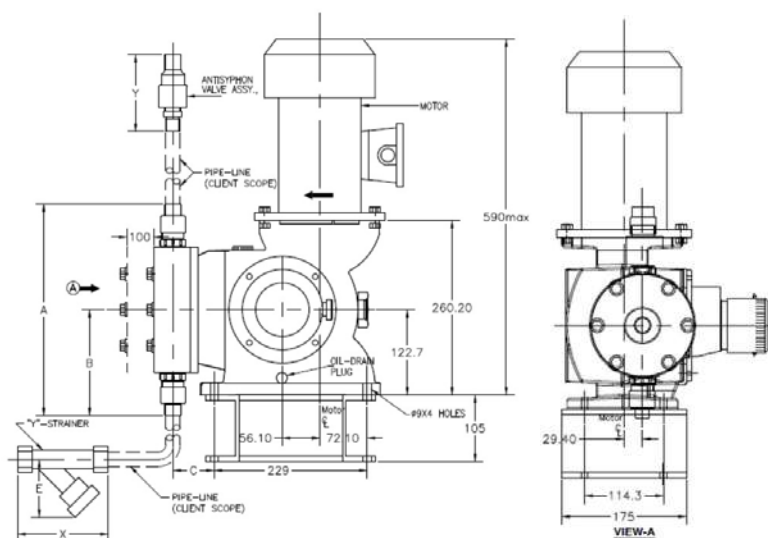
## Liquid end construction

Components	Materials			
	PP	PVC	CF8M	PVDF
Liquid end body	PP	PVC	CF8M	PVDF
Valve body	PVC	PVC	SS-316	PVDF
Seats	PVC	PVC	SS-316	PVDF
Balls	Glass/Teflon/PVC	Glass/Teflon/PVC	SS-316	PVDF
Connections	PVC	PVC	SS-316	PVDF
Diaphragm	Gylon	Gylon	Gylon	Gylon
PRV	PVC	PVC	SS-316	PVDF
Y-Strainer	PP	-	SS-316	-
Online Strainer	-	PVC	-	PVDF
Antisiphon valve	PVC	PVC	SS-316	PVDF

## Performances

Pump model	Flow max. (l/h)	Pressure max. (kg/cm <sup>2</sup> g)		Stroke length (mm)	Stroke speed (spm)	Motor speed (rpm)	Motor power (kW)	End Connections (Suction & Discharge)	
		0.37 kW	0.75 kW					Plastic Head	Metallic Head
GB401	75	8	10	12	36	1440	0.37/0.75	½" BSP (F)	½" BSP (F)
GB402A	120	8	10	12	48	960	0.37/0.75	½" BSP (F)	½" BSP (F)
GB402	160	8	10	12	72	1440	0.37/0.75	½" BSP (F)	½" BSP (F)
GB403A	220	8	10	12	96	960	0.37/0.75	½" BSP (F)	½" BSP (F)
GB403	320	5	10	12	144	1440	0.37/0.75	½" BSP (F)	½" BSP (F)
GB404	400	5	10	12	180	1440	0.37/0.75	½" BSP (F)	½" BSP (F)
GB603	450	3	7	12	144	1440	0.37/0.75	1 ½" BSP (M)	1" BSP (M)
GB604	560	3	7	12	180	1440	0.37/0.75	1 ½" BSP (M)	1" BSP (M)
GB803	940	-	3.5	12	144	1440	0.75	1 ½" BSP (M)	1" BSP (M)
GB804A	760	-	3.5	12	120	960	0.75	1 ½" BSP (M)	1" BSP (M)
GB804	1175	-	3.5	12	180	1440	0.75	1 ½" BSP (M)	1" BSP (M)

## Dimensions and Connections



Pump model	Dimensions (mm)			
	A±5.0	B±3.0	C±2.0	D±3.0
GB40 (SS)	285	142.5	60	341
GB40 (PP)	275	137.5	62	341
GB60 (SS)	372	186	76	356
GB60 (PP)	312	156	71	356
GB80 (SS)	414	207	98	387
GB80 (PP)	388	194	98	387

## Weight

Liquid End	Weight (ka)
Metallic	67
Plastic	47

\*Any changes in this catalogue applicable without prior Information

Plot No: 45/1, 8th Avenue, Domestic Tariff Area,  
Mahindra World City, Kanchipuram District,  
Chengalpet – 603004, Tamil nadu, India.  
Tel Ph. No: +91-44-71113111  
[mr-sales@miltonroy.com](mailto:mr-sales@miltonroy.com) | [www.miltonroyindia.com](http://www.miltonroyindia.com)