

Dosing pump series - D

- Maximum Flow rate: 90 l/h
- Maximum Pressure: 18 kg/cm²g
- Electro Magnetically Actuated Diaphragm



Technical characteristics

Standard:

- Flow rate up to: 90 l/h
- Pressure up to: 18 kg/cm²g
- Manual / automatic speed control adjustable while running or stopped.
- Electronically operated Mechanically actuated diaphragm
- Manual stroke length adjustable while running
- Electro Magnetic Drive: Less moving parts.
- Composite PTFE faced Hypalon Diaphragm for longer life
- Adjustment of flow rate while running or stopped: from 0 to 100%
- Accuracy: $\pm 2\%$ of rated flow from 10% to 100% stroke
- Suction lift: up to 1.5 m water max.



Characteristics of drive

Standard Drive Data:

- Electromagnetic Power Unit (EPU) 230V, 50Hz, Single Phase A.C
- Power Consumption Approx. 100 Watts.
-

Accessories

To meet your installation needs a large range of accessories are available on request (Pulsation dampeners, safety and backpressure valves), consult us.

Liquid end construction

Components	Materials			
	PP	PVC	PVDF	SS-316
Liquid end body	PP	PVC	PVDF	SS-316
Valve body	PVC	PVC	PVDF	SS-316
Ring Seal	TEFLON	TEFLON	TEFLON	TEFLON
Balls	CERAMIC	CERAMIC	CERAMIC	CERAMIC
Connections	PVC	PVC	PVDF	SS-316
Diaphragm	TEFLON FACED HYPALON	TEFLON FACED HYPALON	TEFLON FACED HYPALON	TEFLON FACED HYPALON
Foot Valve	PVC	PVC	PVDF*	SS-316
Antisiphon valve	PVC	PVC	PVDF	SS-316
Tubing	LDPE	LDPE	LDPE	LDPE

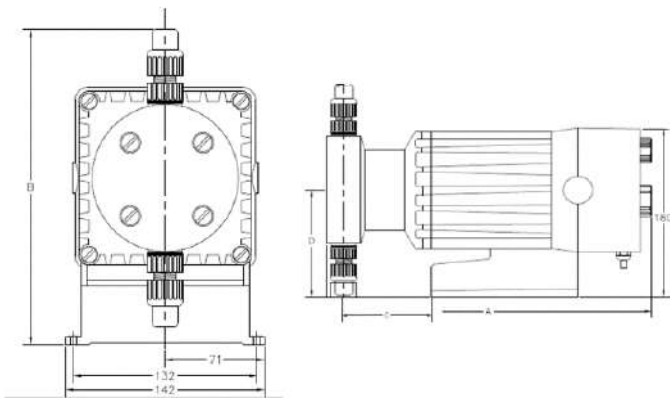
#Alloy 20 available based on customer request

*Online Strainer for PVDF

Performances

Pump model	Flow max. (l/h)		Pressure max. (KG/CM ²)	Size of Tubing (Suction & Discharge) [OD x ID]
	Min (l/h)	Max (l/h)		
D-10, D-70, D-90	0.05	5	18	3/8" x 1/4"
D-11,D-71,D-91	0.1	12	9	1/2" x 3/8"
D-12,D-72,D-92	0.15	17	7	1/2" x 3/8"
D-13,D-73,D-93	0.25	35	4	1/2" x 3/8"
D-14, D-74, D-94	0.6	90	1.5	1/2" x 3/8"

Dimensions and Connections



Dimensions (mm)				
Pump model	A	B	C	D
D-10, D-70, D-90	278	210	88	118
D-11,D-71,D-91				
D-12,D-72,D-92				
D-13,D-73,D-93				
D-14, D-74, D-94	295	235	105	118

WEIGHT

Pump Model	Metallic	Plastic
D-10, D-70, D-90	9	8.5
D-11,D-71,D-91		
D-12,D-72,D-92		
D-13,D-73,D-93		
D-14, D-74, D-94	10.5	9

*Any changes in this catalogue applicable without prior Information

Plot No: 45/1, 8th Avenue, Domestic Tariff Area,
Mahindra World City, Kanchipuram District,
Chengalpet – 603004, Tamil nadu, India.
Tel Ph. No: +91-44-71113111
mr-sales@miltonroy.com | www.miltonroyindia.com